

DIESEL ENGINE-GENERATOR SET

600-VC6DT2

600 ekW / 60 Hz / Standby
550 ekW / 60 Hz / Prime
208 - 4160V



SYSTEM RATINGS

Standby

Voltage (L-L)	208V**	240V**	480V**	600V**	4160V
Phase	3	3	3	3	3
PF	0.8	0.8	0.8	0.8	0.8
Hz	60	60	60	60	60
kW	600	600	600	600	600
kVA	750	750	750	750	750
AMPS	2082	1804	902	722	104
skVA@30%					
Voltage Dip	1750	1750	1450	1450	1550
Generator Model*	573RSL4033	573RSL4033	572RSL4031	572RSS4272	574FSM4356
Temp Rise	130°C/27°C	130°C/27°C	130°C/27°C	125°C/40°C	130°C/27°C
Connection	12 LEAD LOW WYE	12 LEAD HI DELTA	12 LEAD HI WYE	4 LEAD WYE	6 LEAD WYE


Prime

Voltage (L-L)	208V	240V	480V	600V	4160V
Phase	3	3	3	3	3
PF	0.8	0.8	0.8	0.8	0.8
Hz	60	60	60	60	60
kW	550	550	550	550	550
kVA	687.5	687.5	687.5	687.5	687.5
AMPS	1908	1654	827	662	95
skVA@30%					
Voltage Dip	1750	1750	1450	1450	1550
Generator Model*	573RSL4033	573RSL4033	572RSL4031	572RSS4272	573FSM4356
Temp Rise	105°C/40°C	105°C/40°C	105°C/40°C	105°C/40°C	105°C/40°C
Connection	12 LEAD LOW WYE	12 LEAD HI DELTA	12 LEAD HI WYE	4 LEAD WYE	6 LEAD WYE

* The Generator Model Number identified in the table is for standard C Series Configuration. Consult the factory for alternate configuration.

** UL2200 Offered

FACTS

- // EPA Tier 2 Certified
- // Engine-Generator Set Tested to ISO 8528-5 for Transient Response
- // UL2200, CSA Listing Offered
- // Accepts Rated Load in One Step Per NFPA 110, Level 1
- // All engine-generator sets are prototype and factory tested
- // MTU Onsite Energy is a single source supplier
- // Global Product Support
- // 2 Year Standard Warranty
- // Custom Design for Any Application
- // TWD1643GE Diesel Engine
 - 16.1 Liter Displacement
 - Electronic Unit Pump Injection
 - 4-Cycle
- // Complete Range of Accessories
- // Permanent Magnet Generator (PMG)
 - Brushless, Rotating Field
 - 300% Short Circuit Capability
 - 2/3 Pitch Windings
- // Digital Control Panel(s)
 - UL Recognized, c  us, NFPA 110
 - Complete System Metering
 - LCD Display
- // Cooling System
 - Integral Set-Mounted
 - Engine Driven Fan

STANDARD EQUIPMENT

// Engine

Air Cleaner

Oil Pump

Full Flow Oil Filter

Jacket Water Pump

Thermostat

Exhaust Manifold - Dry

Blower Fan & Fan Drive

Radiator - Unit Mounted

Electric Starting Motor - 24V

Governor - Electric Isochronous

Base - Structural Steel

SAE Flywheel & Bell Housing

Charging Alternator - 24V

Battery Box & Cables

Flexible Fuel Connectors

Flexible Exhaust Connection

EPA Certified Engine

// Generator

NEMA MG1, IEEE and ANSI standards compliance for temperature rise and motor starting

Sustained short circuit current of up to 300% of the rated current for up to 10 seconds

Self-Ventilated and Drip-Proof

Superior Voltage Waveform

Digital, Solid State, Volts-per-Hertz Regulator

No Load to Full Load Regulation

Brushless Alternator with Brushless Pilot Exciter

4 Pole, Rotating Field

130°C Standby Temperature Rise

1 Bearing, Sealed

Flexible Coupling

Full Amortisseur Windings

125% Rotor Balancing

3-Phase Voltage Sensing

±.25% Voltage Regulation

100% of Rated Load - One Step

3% Maximum Harmonic Content

// Digital Control Panel(s)

Digital Metering

Engine Parameters

Generator Protection Functions

Engine Protection

SAE J1939 Engine ECU Communications

Windows-Based Software

Multilingual Capability

Remote Communications to our RDP-110 Remote Annunciator

16 Programmable Contact Inputs

7 Contact Outputs

UL Recognized, c  us, CE Approved

Event Recording

IP 54 Front Panel Rating with Integrated Gasket

NFPA110 Level Compatible

APPLICATION DATA

// Engine

Manufacturer	Volvo Penta
Model	TWD1643GE
Type	4-Cycle
Arrangement	6-Inline
Displacement: Cu In (lit)	984 (16.1)
Bore: in (cm)	5.67 (14.4)
Stroke: in (cm)	6.5 (16.5)
Compression Ratio	16.5:1
Rated RPM	1,800
Engine Governor	EMS 2
Max Power: Standby: bhp (kWm)	917 (684)
Max Power: Prime: bhp (kWm)	796 (594)
Regulation	± 25%
Frequency	60 Hz
Air Cleaner	Dry

// Liquid Capacity (Lubrication)

Total Oil System: gal (lit)	12.7 (48)
Engine Jacket Water Capacity: gal (lit)	8.7 (33)
System Coolant Capacity: gal (lit)	25.1 (95)

// Electrical

Electric Volts DC	24
Cold Cranking Amps Under 0°F (-17.8°C)	1,155

// Fuel System

Fuel Supply Connection Size	3/4" NPT
Fuel Return Connection Size	1/2" NPT
Maximum Fuel Lift: ft (m)	3.5 (1)
Recommended Fuel	Diesel #2
Total Fuel Flow: gal/hr (lit/hr)	55.5 (210)

// Fuel Consumption

	STANDBY	PRIME
At 100% of Power Rating: gal/hr (lit/hr)	43.1 (163)	37.5 (142)
At 75% of Power Rating: gal/hr (lit/hr)	31.2 (118)	30.1 (114)
At 50% of Power Rating: gal/hr (lit/hr)	21.1 (80)	18.5 (70)

// Cooling - Radiator System

	STANDBY	PRIME
Ambient Capacity of Radiator: °F (°C)	122 (50)	122 (50)
Max. Restriction of Cooling Air, Intake, and Discharge Side of Rad.: in. H ₂ O (kPa)	0.8 (0.2)	2.4 (0.6)
Water Pump Capacity: gpm (lit/min)	121 (458)	121 (458)
Heat Rejection to Coolant: BTUM (kW)	15,355 (270)	13,990 (246)
Heat Rejection to After Cooler: BTUM (kW)	7,677 (135)	7,109 (125)
Heat Radiated to Ambient: BTUM (kW)	4,327 (76)	3,511 (61.7)

// Air Requirements

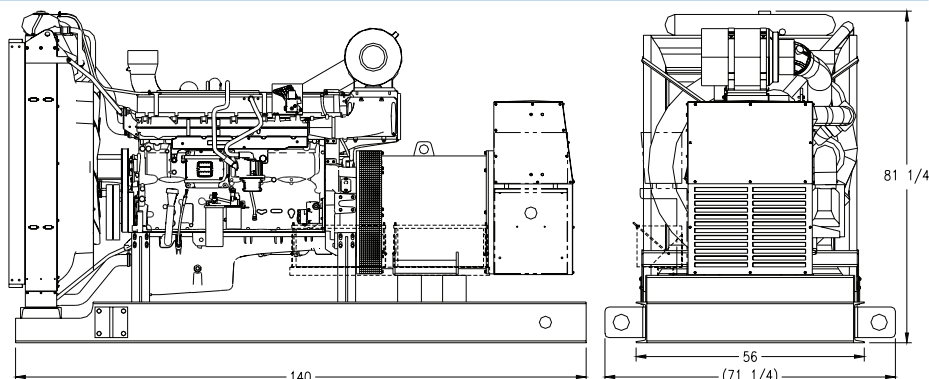
	STANDBY	PRIME
Aspirating: *SCFM (m ³ /min)	1,937 (54.9)	1,874 (53.1)
Air Flow Required for Rad. Cooled Unit: *SCFM (m ³ /min)	23,277 (659)	23,277 (659)
Air Flow Required for Heat Exchanger/Remote Rad. based on 25°F Rise: *SCFM (m ³ /min)	9,759 (278)	7,917 (226)

* Air density = 0.0739 lbm/ft³ (1.184 kg/m³)

// Exhaust System

	STANDBY	PRIME
Gas Temp. (Stack): °F (°C)	862 (461)	792 (422)
Gas Volume at Stack Temp: CFM (m ³ /min)	4,594 (130.1)	4,202 (119)
Maximum Allowable Back Pressure: in. H ₂ O (kPa)	40.2 (10)	40.2 (10)

WEIGHTS AND DIMENSIONS



Drawing above for illustration purposes only, based on standard open power 480 volt generator. Lengths may vary with other voltages. Do not use for installation design.

System	Dimensions (L x W x H)	Weight (less tank)
OPU	140 x 56 x 81.25 in (3,560 x 1,420 x 2,060 mm)	10,064 lb (4,565 kg)

Weights and dimensions are based on open power units and are estimates only. Consult the factory for accurate weights and dimensions for your specific generator set.

SOUND DATA

Unit Type	Standby Full Load	Standby No Load	Prime Full Load	Prime No Load
OPU w/Critical Grade Muffler (dBA)	99	91	97.5	91
Sound Attenuated Enclosure (dBA)	91	83	89.5	83

Measurements for sound data are taken at 23 ft (7 m).

EMISSIONS DATA

NO _x + NMHC	CO	PM
4.28	0.31	0.057

All units are in g/hp-hr and are EPA D2 cycle values.

Emission levels of the engine may vary as a function of ambient temperature, barometric pressure, humidity, fuel type and quality, installation parameters, measuring instrumentation, etc. The data provided are laboratory results from one engine representing this rating. The data was obtained under controlled environmental conditions with calibrated instrumentation traceable to the United States National Bureau of Standards and in compliance with US EPA regulations found within 40 CFR Part 89. The weighted cycle value from each engine is guaranteed to be below the US EPA Standards at the US EPA defined conditions.

RATING DEFINITIONS AND CONDITIONS

- // Ambient capability factor at 984 ft (300 m). Consult your local MTU Onsite Energy Power Generation Distributor for other altitudes.
- // Standby ratings apply to installations served by a reliable utility source. The standby rating is applicable to varying loads for the duration of a power outage. No overload capability for this rating. Ratings are in accordance with ISO-3046/1, BS 5514, AS 2789, and DIN 6271.
- // Prime power ratings apply to installations where utility power is unavailable or unreliable. At varying load, the number of generator set operating hours is unlimited. A 10% overload capacity is available for one hour in twelve. Ratings are in accordance with ISO-8528/1, overload power in accordance with ISO-3046/1, BS 5514, AS 2789, and DIN 6271. For limited running time and base load ratings, consult the factory.
- // Deration Factor:
 - Altitude:** 5% per 1,476 ft (450 m) above 4,921 ft (1,500 m).
 - Temperature:** No derate due to increased temperature.

Materials and specifications subject to change without notice.