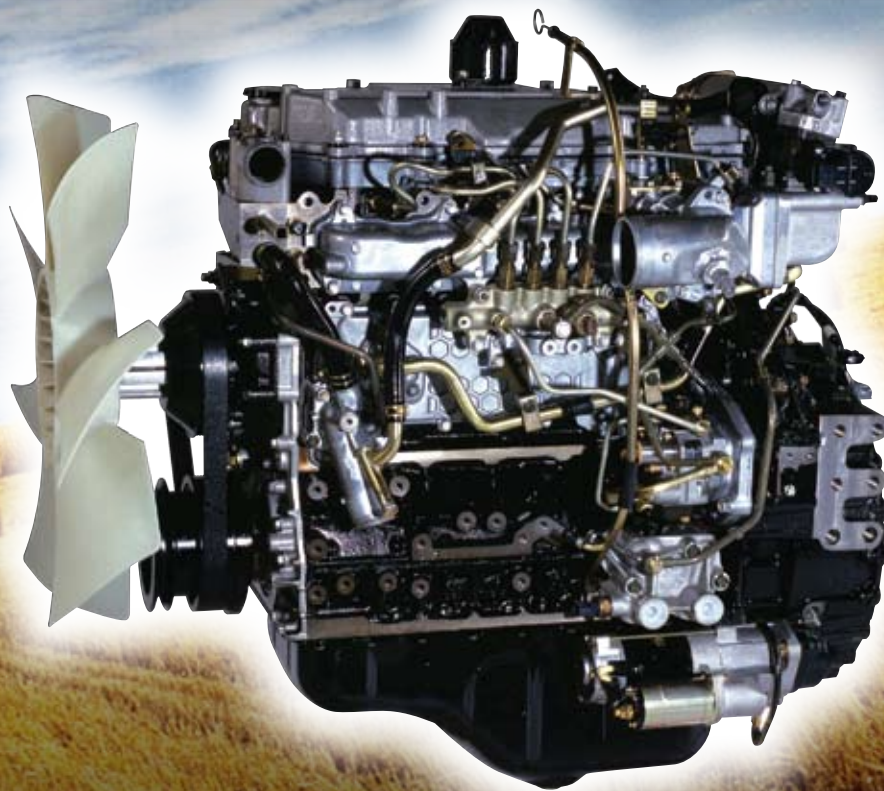


Isuzu Diesel Engines



4HK1X

Generator: 178.2 HP @ 1800 RPM

Industrial Drive: 203.0 HP @ 2100 RPM

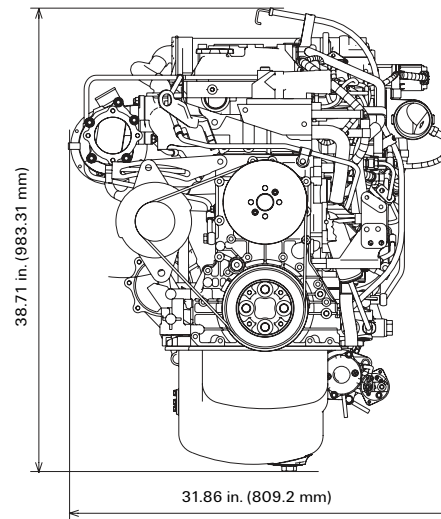
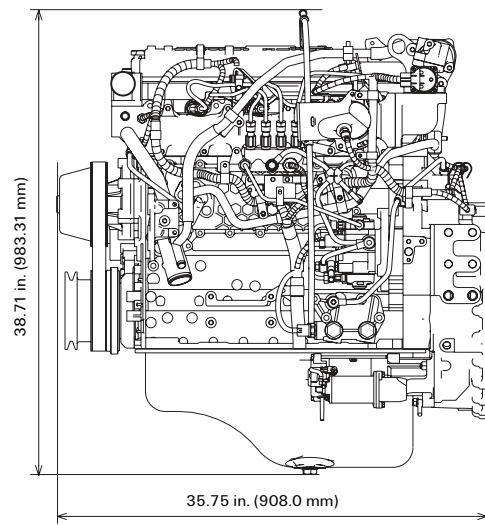
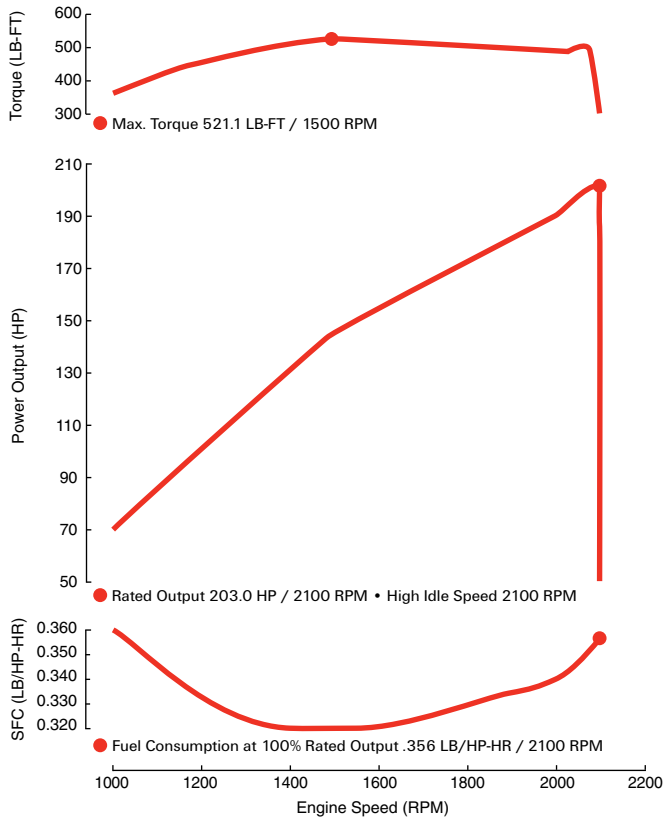
Standard features:

- U.S. EPA Tier 3
- Displacement: 5.2 L
- Turbo charged & charge air cooled
- Peak torque: 521.1 lb/ft @ 1500 RPM
- Fuel consumption: .356 LB/HP-HR
- Flywheel housing: SAE 3
- Electric & self-priming fuel lift pump
- 12V and 24V available
- Glow plug starting aid
- High angularity oil pan
- 500-hour service intervals
- 5-year / 5,000-hour warranty

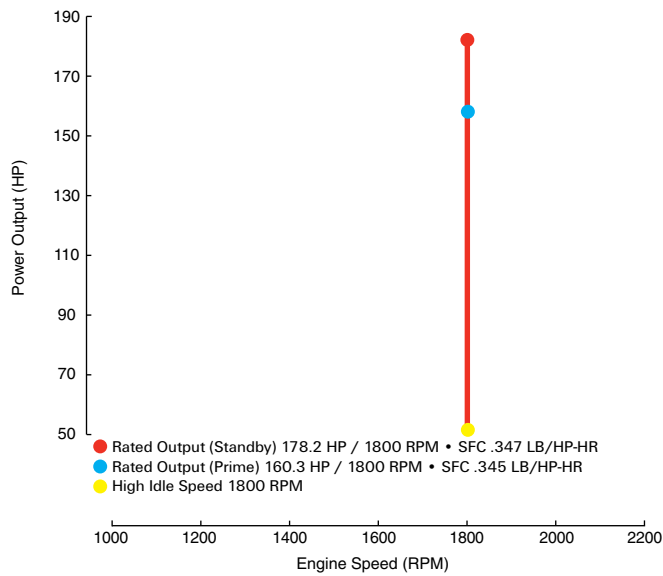
The power behind it all.

ISUZU
DIESEL

4HK1X Industrial Performance Curves:



4HK1X Genset Performance Curves:



Available options:

- Cooling system
- Air cleaner
- Exhaust system
- Front and rear mounts
- Skid base
- Instrument panel & extension harness
- Custom power unit

Horsepower comparison:

| Engine Model | Cylinders | Displacement (L) | HP Range |
|--------------|-----------|------------------|----------|
| 4JJ1X | 4 | 3.0 | 75-130 |
| 4HK1X | 4 | 5.2 | 150-200 |
| 6HK1X | 6 | 7.8 | 225-300 |

For additional information, please contact your local distributor or visit www.isuzuengines.com

Isuzu Motors America, Inc.

46401 Commerce Center Drive
 Plymouth, Michigan 48170
 Phone: 734.582.9470
 Fax: 734.455.7581